

## **Installation Details**

Before you cut the section from the drainpipe to fit the filter, you must measure the maximum height you want to have the water level in your water tank/butt (if saving the rain water via the Diverter). You can of course use a spirit level to mark the position of the maximum water level in the water butt onto the drainpipe before measuring up the drainpipe a further 187mm to mark the position of the top cut. The central overflow in the filter basket is designed to assist in the discharge of the excess water in heavy rain and as an additional automatic cut off if there is excess flow.

**The correct position of the bottom of the top piece of drainpipe should have it going into the top of the filter by approximately 1 to 2 mm. this allows the removal of the top and the filter basket, without disturbing the top piece of drainpipe.**

Also be aware which type of mounting bracket you are using for securing the drainpipe. For the Square drainpipe there are 2 types of mounting bracket, close fitting and standoff, if you use the standoff bracket you will **not** need the square to round adaptor and therefore the amount of drainpipe you need to remove will be the shorter of the 2 dimensions.

Cut out a section of drainpipe subject to the size, section and type of drainpipe and bracket you have, as per the illustration and dimensions.

Make sure the **TOP** and **BOTTOM** sections of drainpipe are secured and supported with brackets above and below the cuts, **do not try to support the top piece of drainpipe on the filter.**

There needs to be approximately 150mm of drainpipe below the bottom bracket on the top piece of drainpipe, place a bracket approximately 80mm below the top of the bottom piece of drainpipe.

For Square Drainpipe, place the square to round adaptor on the remaining bottom piece of drainpipe (if needed, see above re drainpipe brackets). Place the filter base onto the square to round adaptor and rotate the adaptor until the filter base moves up to the wall. Mark the position of the screw holes on the wall and drill the holes with a 6mm masonry drill to a depth of 33mm.

Secure the filter base to the wall with the plugs and screws provided.

For **round drainpipe** place the filter base on the bottom piece of drainpipe and follow the procedures for fixing as above.

If you don't wish to save the rain water via the Diverter, use the plug to plug off the diverter outlet in the filter base.

**FIT HOSE TO WATER BUTT END FIRST. DO NOT FIT THE HOSE ELBOW TO THE FILTER BASE BEFORE YOU HAVE ATTACHED THE HOSE TO THE ELBOW.** Be sure you are not imparting any stress to the elbow from the hose. Put a small amount of sealant on the elbow before pushing into the body. Hose size 20mm internal diameter. Be aware the elbow fits only in one of two positions. If you are using more than 500mm of hose the hose must be supported and do not allow any loops or kinks in the hose, it should run as horizontal as possible from filter to tub.

Place the Filter basket into the filter base, taking care to position the arrow on the filter basket in line with the **THRU** or **TUB** position on the filter base. **Also be sure the filter basket sits in the filter base with an even distance between the top of the filter basket and the top of the filter base.** Place the filter top onto the filter base.

Assembly complete. After installation be sure to remove bell type strainer from the top of the drainpipe and if you wish, any mesh you may have on your guttering

### **OPERATION OF FILTER**

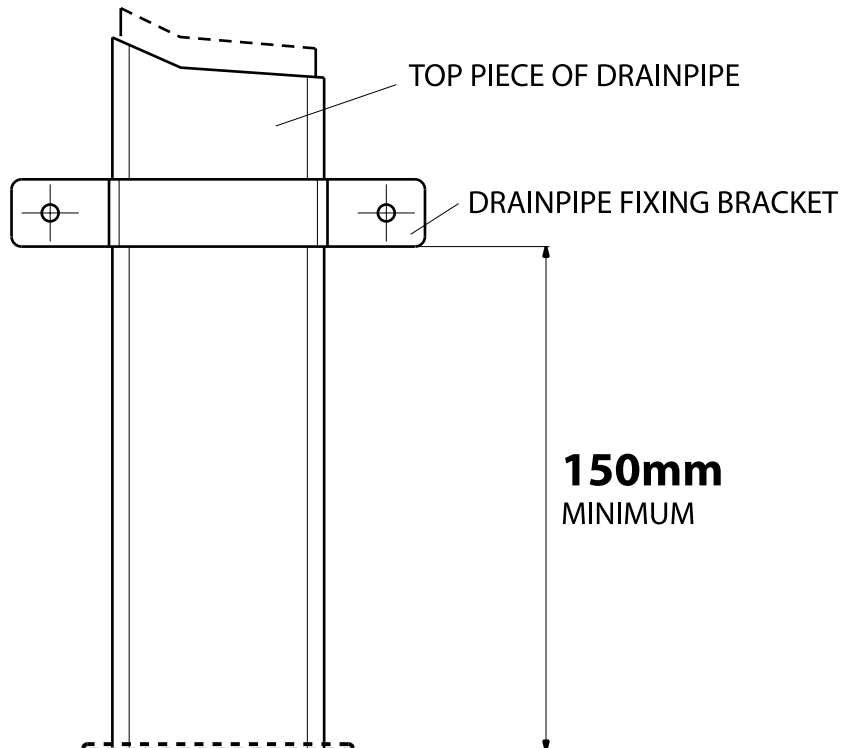
The filter basket has 2 positions. First position, **THRU**, all water goes to the drain or soak away. Second position **TUB**, part or all of the water goes to the rainwater tub.

The positioning of the filter basket is indicated by lining up the arrow on the filter basket with either **THRU** or **TUB** positions.

To clean the filter lift the filter top off the filter assembly and then lift out the filter basket.

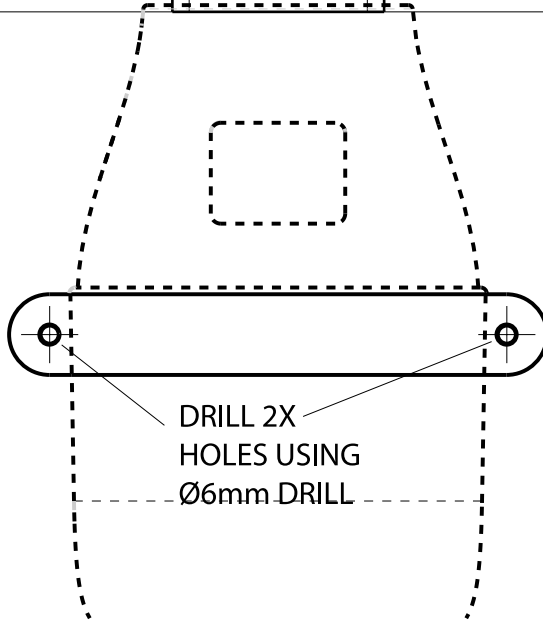
Clean the debris from the basket and re-position the filter basket into the filter base. Take care to position the filter basket correctly; otherwise water distribution may not take place as you wish.

REMEMBER TO FIRST MEASURE THE HEIGHT OF THE FILTER IN RELATION TO YOUR WATER TUB IF YOU ARE GOING TO SAVE THE WATER. SEE OTHER SIDE FOR MORE DETAIL.



230mm

CUT THIS LENGTH OUT IF YOU ARE USING THE SQUARE TO ROUND ADAPTER TO FIT TO SQUARE DRAINPIPE



187mm

CUT THIS LENGTH OUT IF YOU ARE USING ROUND DRAINPIPE

80mm

